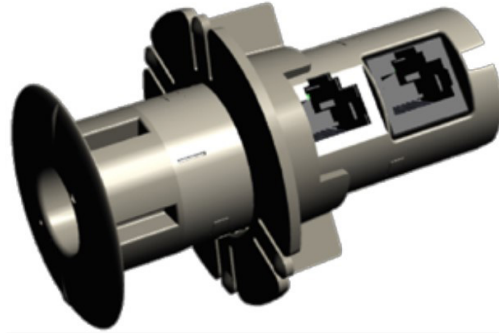


SSEN-1-N

smartengine LED Sensor, Generation 3, Narrow Cone



GENERAL SPECIFICATIONS

Brand	wtec
Generation	3
Product Type	smartsensor
Application	Controls a connected LED fixture and collects light level, temperature and motion data via a narrow cone Typical use of this smartsensor is for desk level motion
Data Ports, qty	1 to LED fixture 1 to smartengine
Color	White
Mount Type	Ceiling
Package Quantity	1

DIMENSIONS

Height	82.55 mm 3.25 in
Inner Diameter	25.40 mm 1.0 in
Outer Diameter	40.64 mm 1.60 in
Weight	0.11 kg 0.25 lb

PIR SPECIFICATIONS

Coverage, Desk Level Motion (diameter)	5ft 10in (1.8m) Mounting Height 10ft (3m)
Motion Sensitivity Options	Disabled, Low, Normal or High

SSEN-1-N

smartengine LED Sensor, Generation 3, Narrow Cone

MECHANICAL SPECIFICATIONS

smartengine Connector	1 qty
smartengine Connector Interface	RJ45
Fixture Connector	1 qty
Fixture Connector Interface	RJ45
Material Type	Plastic

ORDERING INFORMATION

Product	PID
SSEN-1-N	<p>SENSOR00 (sensor only)</p> <p>GNEW1150 (150-349mA)</p> <p>GNEW1350 (350-499mA)</p> <p>GNEW1500 (500-700mA)</p> <p>Custom (consult factory)</p>

ELECTRICAL SPECIFICATIONS

ANSI/TIA Category	5e 6 6A
Power Consumption, max.	10 mW
Power Consumpt. stby., max.	500 mW

SSEN-1-N

smartengine LED Sensor, Generation 3, Narrow Cone

ENVIRONMENTAL SPECIFICATIONS

Ambient Temp. Sensor Range	0°C to +100°C (+32°F to +212°F)
Amb. Temp. Sensor Tolerance	±1 °C (1.8 °F)
Environmental Space	Indoor Plenum
Operating Humidity	10% - 80%, non-condensing
Operating Temperature	0°C to +50°C (+32°F to +122°F)
Storage Humidity	5% - 95%, non-condensing
Storage Temperature	-20°C to +60°C (-4°F to +140°F)

SAFETY STANDARD

Safety	c-UL-us UL 8750 UL 60950-1 CAN/CSA 22.2 NEC Article 725 Clas 2 TUV IEC 62368-1 CE BIS
Electromagnetic Emissions	FCC Part 15 Class A EN 55032 (CISPR 32) AS/NZS CISPR 32 CE

REGULATORY COMPLIANCE/CERTIFICATIONS

Agency	Classification
RoHS 2011/65/EU	Compliant

